

The Web-Mon provides users with one-page snapshots of historical and real-time energy usage accessible via any standard web-browser. Easy-to-read energy dashboards include kWh, kW demand as well as carbon footprints of estimated CO₂, NO_x, SO₂ and other parameters.

The ability to manage energy consumption is just a click away. Energy data is displayed for various time periods including:

- Today
- Last 7 days
- Last 30 days
- Last 365 days

Advanced meter functions can be displayed real-time for:

- KW Load
- Volts & Amps by Phase
- Power Factor
- And more

Features

- User friendly, password protected web user interface allows users to view live energy data, charts and graphs via any standard web browser.
- Interface with up to 24 metering points including E-Mon D-Mon meters or other electric, water, gas, steam and BTU meters.
 - E-Mon Class 3000 meters and other serial devices are connected via RS-485 daisy chain connection, up to 4,000 feet total.
 - Class 1000 & 2000 meters (PIM required) and other pulse enabled meters (i.e. water, gas, etc.) connect to optional 8-port I/O modules (up to 3 modules per Web-Mon) and can be up to 200 ft from Web-Mon.
- Export data to E-Mon Energy Software or CSV files for interface with other software packages.
- Internal memory stores up to 5 years of daily kWh consumption & peak demand and up to 60 days of 15-minute interval data.
- Ethernet connection to internet supports either static or DHCP IP address.
- JIC steel enclosure standard. Available without enclosure for installation into existing MMU cabinets or third-party enclosures.
- Web-Mon units can be ordered with E-Mon meters in MMU cabinets and shipped to you pre-configured as a complete metering package.
- Web-Mon includes AC adapter to power unit. Optional Din Rail power supply option available.
- Agency listings include UL 916, C-UL Listed to Canadian Standards Assoc. (CSA) C22.2 No. 205-M1983 "Signal Equipment", CE, FCC part 15 Class A, C-tick (Australia)



Enclosure Dimensions:
12.25" W x 18.25" H x 4" D



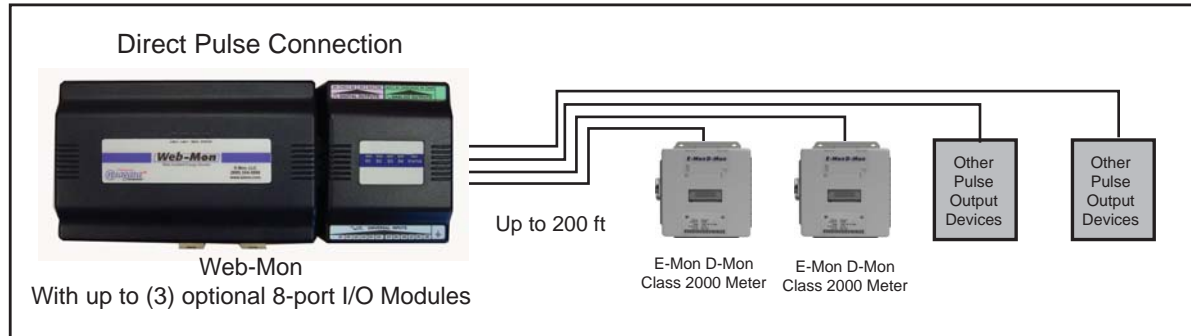
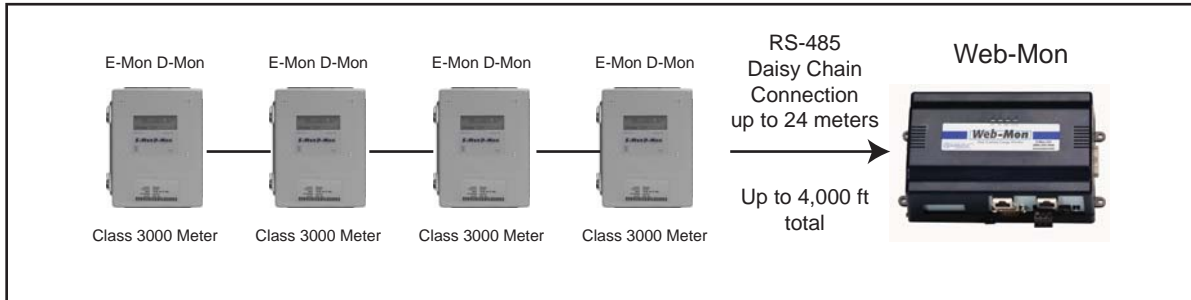
Web-Mon Unit (No Enclosure)
Dimensions: 7" W x 5.5" H x 2.5" D



Model Numbers

Web-Mon	Includes two ethernet ports, one RS-232 port & one RS-485 port, JIC steel enclosure & AC Power Supply
IO8 Module	Web-Mon 8-port I/O module (required for pulse-enabled meters)
PIM	Pulse Interface Module (required for Class 1000 & 2000 meters)
DRPS	Din Rail Power Supply Option

For Web-Mons without enclosure, add suffix "MMU" to the end of the model. (ex. Web-MonMMU)



Web-Mon Specifications

- System Overview- Interface with up to 24 metering points including E-Mon D-Mon meters and other electric, water, gas, steam and BTU meters.
 - E-Mon Class 3000 meters and other serial communication devices are connected via RS-485 daisy chain up to 4,000 feet total.
 - E-Mon Class 1000 & 2000 meters and other pulse enabled meters (i.e. water & gas) connect to optional 8-port I/O modules (up to 3 modules per Web-Mon) and can be up to 200 feet from Web-Mon.
- Platform Specifications
 - PowerPC 105EP 250 MHz processor
 - 64 SDRAM & 64 MB Serial Flash (optional 128 MB SDRAM)
 - 128 KB Static Ram
 - Battery Backup-5 minute typical shutdown begins within 10 seconds
 - Real-time clock-3 months backup max via battery
- Communications
 - 2 Ethernet Ports-10/100 Mbps (RJ-45 Connectors)
 - 1 RS-232 Port (9-pin D-shell connector)
 - 1 RS-485 non-isolated port (3-Screw terminal connector on base board)
- Power Supply
 - AC Adapter included (outlet required at Web-Mon location)
 - Optional Din Rail mounted universal power supply available
- Ethernet Connection
 - Supports Static or DHCP IP Addresses
- Optional 8-port I/O Module
 - 8 pulse inputs
- Enclosure
 - JIC Steel enclosure included
 - Available without enclosure for installation into E-Mon MMU cabinets or other third-party enclosures