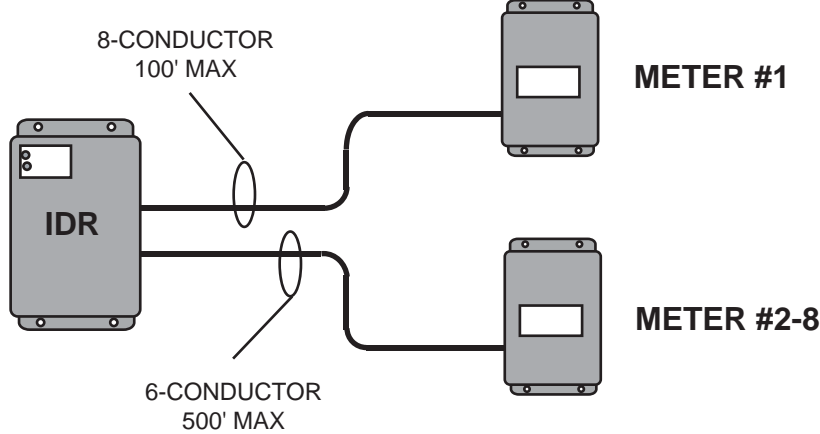


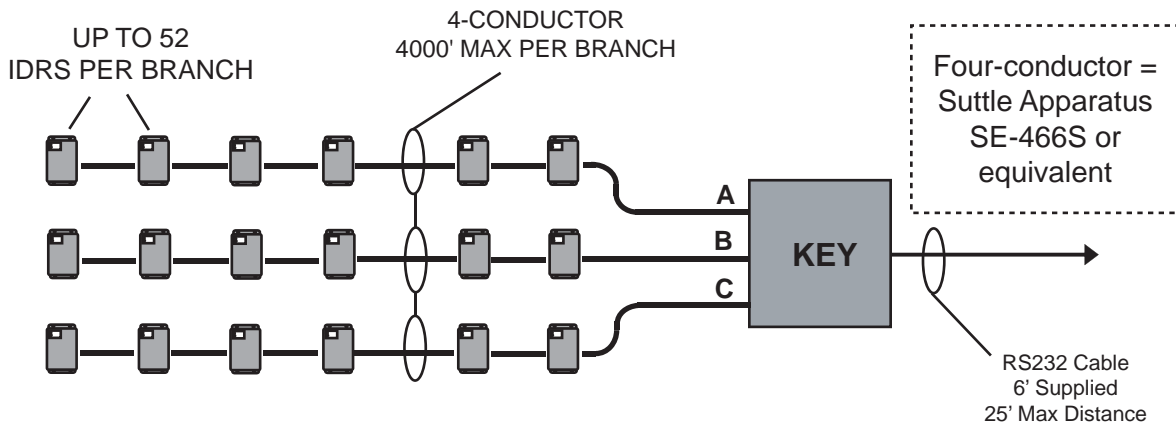
## METER TO IDR



Eight-conductor =  
Suttle Apparatus  
SE-466S-8 or  
equivalent

Six-conductor =  
Suttle Apparatus  
SE-466S-6 or  
equivalent

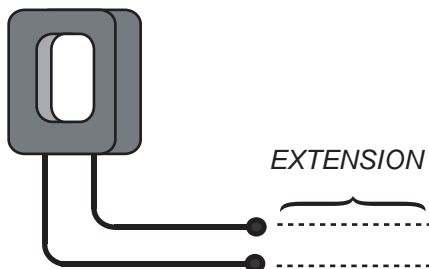
## IDR DAISY CHAIN



Four-conductor =  
Suttle Apparatus  
SE-466S or  
equivalent

*Hardware Supported = 52 IDRs x 3 Branches x 8 Meters per IDR (for a total of 1248 meters per key)*

## CURRENT SENSORS



METER	MAXIMUM DISTANCE	MINIMUM GAUGE
kWh/ Demand	2000 Feet	AWG #22
Class 3000 Series	500 Feet	AWG #22