

Features

- Available in configurations containing up to 8, 16, or 24 meters.
- MMU cabinets may contain E-Mon D-Mon[®] Class 1000, Class 2000 (kWh or kWh/demand) or Class 4000 meters.
- Compact installation of multiple meters allows for easy and centralized reading.
- IDRs (Interval Data Recorders) can be factory-installed along with the meters in the cabinet, allowing for easy interface to the RightEnergy[™] software system.
- MMU cabinets come with prewired voltage feeds.



Model Numbers

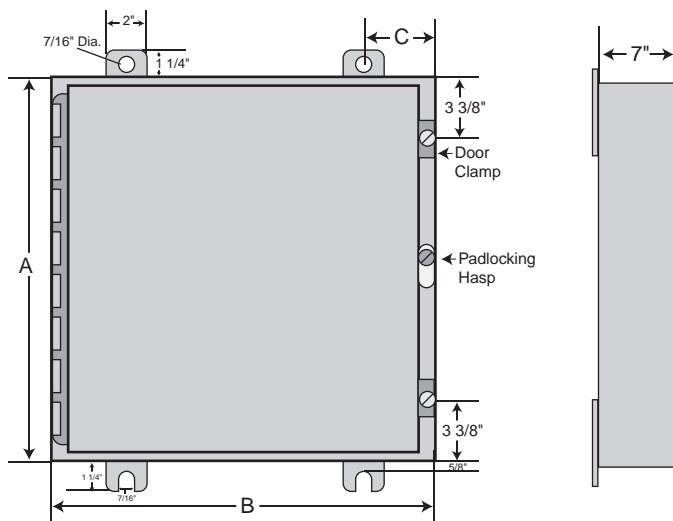
When ordering, specify configuration, meters to be contained inside cabinet, and blank spaces (if any).

Example:
 1 MMU16
 11 208200M KIT
 5 Blank Spaces

Available Configurations:

MMU8
 MMU16
 MMU24

MMU Dimensions



Front View

Side View

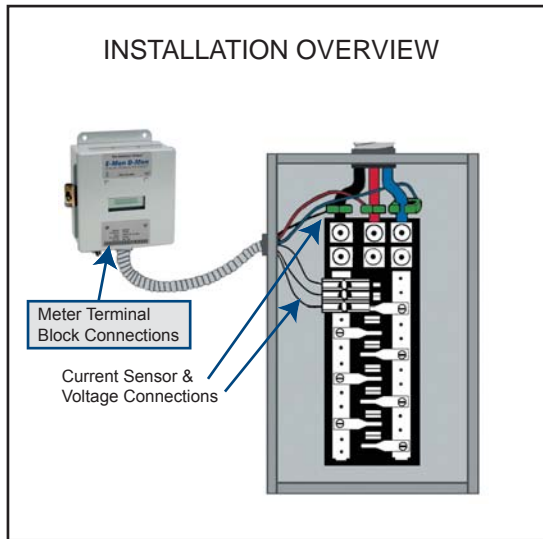
MMU	Dimensions (in inches)		
	A	B	C
MMU8	24	12	1 1/4
MMU16	24	20	3
MMU24	30	24	3

MMU	Meter Configuration		Total Meter Spaces
	Across	Down	
MMU8	2	4	8
MMU16	4	4	16
MMU24	5	5	24

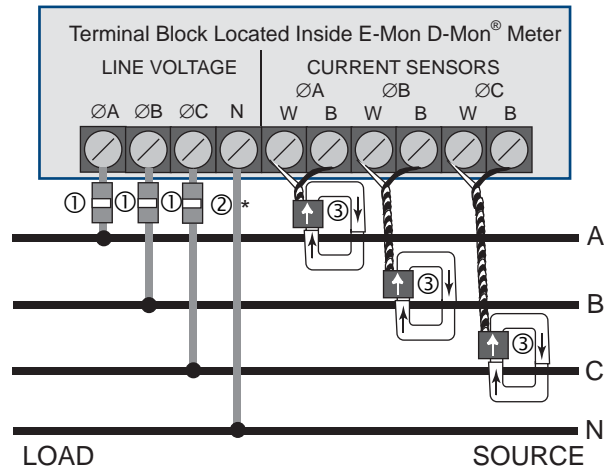
INSTALLATION OVERVIEW

CLASS 1000, CLASS 2000 & CLASS 3000 METERS

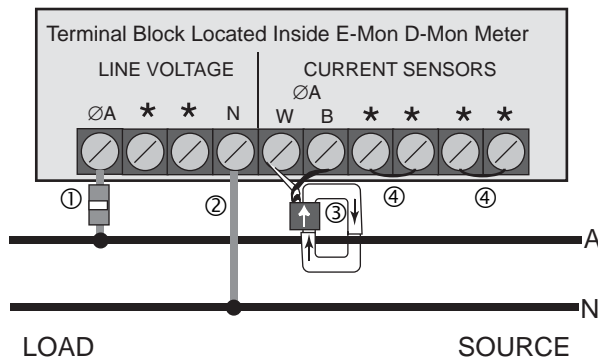
E-Mon D-Mon[®]
Metering Products & Systems



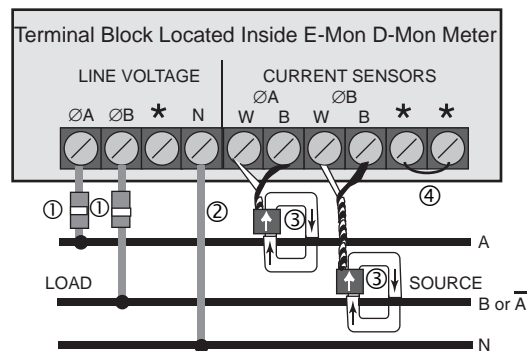
3-PHASE, 3-WIRE OR 3-PHASE, 4-WIRE
INSTALLATION DIAGRAM



1-PHASE, 2-WIRE 120 or 277 VOLT
INSTALLATION DIAGRAM
(Class 1000 Series Only)



SINGLE-PHASE, 3-WIRE
120/240, 120/208 or 480 VOLT
INSTALLATION DIAGRAM



* These terminals are not used in Class 1000 installations.

- ① Recommended fuses or circuit breaker per the National Electrical Code (Meter load 6VA.)
- *② Neutral not required in delta system.
- ③ Split-core current sensors. Install according to instructions.
- ④ Install jumper.

E-Mon[®]