

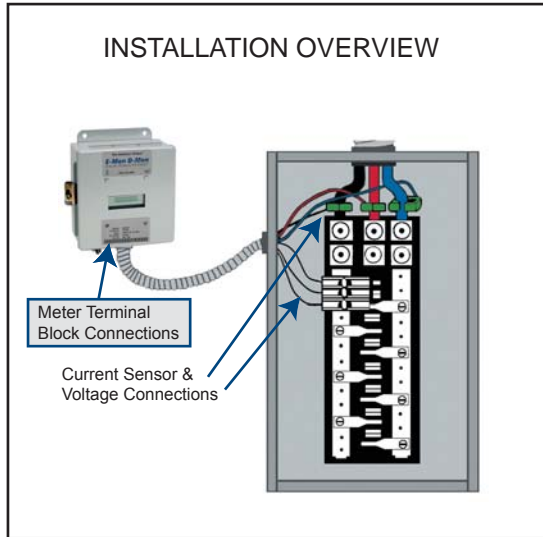
INSTALLATION OVERVIEW

CLASS 1000, CLASS 2000 & CLASS 3000 METERS

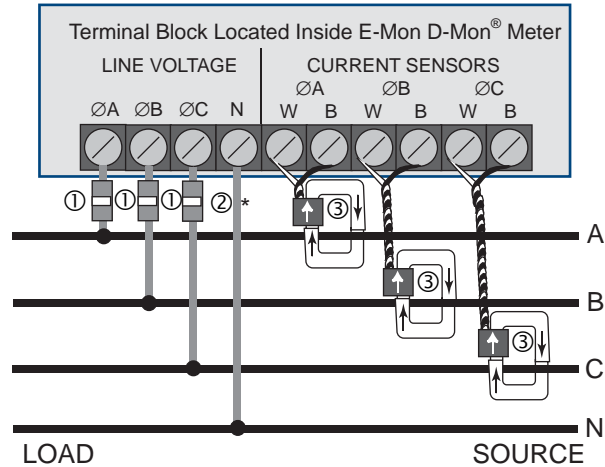
E-Mon D-Mon[®]
 Metering Products & Systems

Test Equipment Depot

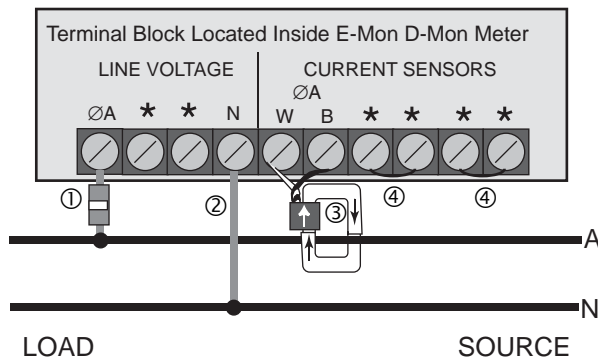
 1-800-517-8431



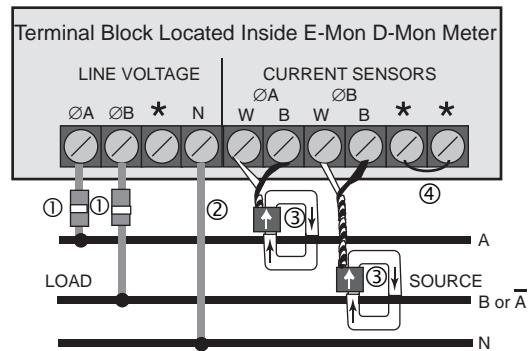
3-PHASE, 3-WIRE OR 3-PHASE, 4-WIRE
 INSTALLATION DIAGRAM



1-PHASE, 2-WIRE 120 or 277 VOLT
 INSTALLATION DIAGRAM
 (Class 1000 Series Only)



SINGLE-PHASE, 3-WIRE
 120/240, 120/208 or 480 VOLT
 INSTALLATION DIAGRAM



* These terminals are not used in Class 1000 installations.

- ① Recommended fuses or circuit breaker per the National Electrical Code (Meter load 6VA.)
- *② Neutral not required in delta system.
- ③ Split-core current sensors. Install according to instructions.
- ④ Install jumper.

