

250 Series Gas Meter with Pulse Output

Third-Party Products

From The Manufacturer of E-Mon D-Mon

Description

The 250 series is a 4 chamber diaphragm type gas meter. Its compact size, light weight, long life, high accuracy and maintenance-free operation make it a perfect choice for retrofit or new applications. This meter is ideally suited to light commercial or larger residential use. Meters are equipped with pulse output for interfacing with interval data recorders. The 250 is for use with loads ranging from 200 to 250 CuFt/Hr. These meters can accommodate pipe sizes of 3/4" and 1". The last digits in the model numbers indicate the pipe size. The meter is shipped complete with a connection kit.

For indoor or mild weather outdoor use the meters are non-temperature compensated (NTC). For outdoor use in more extreme weather conditions you may consider ordering temperature compensated meters (TC). While the 250 series is normally used for natural gas, it can also be used to monitor many other common gases. Contact E-Mon for specification details for other gas types.



Model Numbers

Non-Temperature Compensated	
3/4"	GDP250NTC20LT3/4
1"	GDP250NTC20LT1
Temperature Compensated	
3/4"	GDP250TC20LT3/4
1"	GDP250TC20LT1

Sample of Approvals

ANSI B109.1
Industry Canada AG-0393
State of New York, Dept. of Public Service 97-G-1488
Maryland PSC COMAR 20.55.07.02
California Bureau of Weights & Measures

Specifications

Index:	4-digit direct read
Units:	Cubic Feet
Meter Maximum Allowable Operating Pressure:	5 psi
Hub Sizes:	Sprague #1A, 20LT
Surface Treatment:	ASA 49 Gray polyester powder coating
Index Drive:	2 cubic ft/revolution
Case:	Die cast aluminum
Accuracy:	+/- 1% over entire flow range
Pulse Value:	1 Cubic Ft/pulse

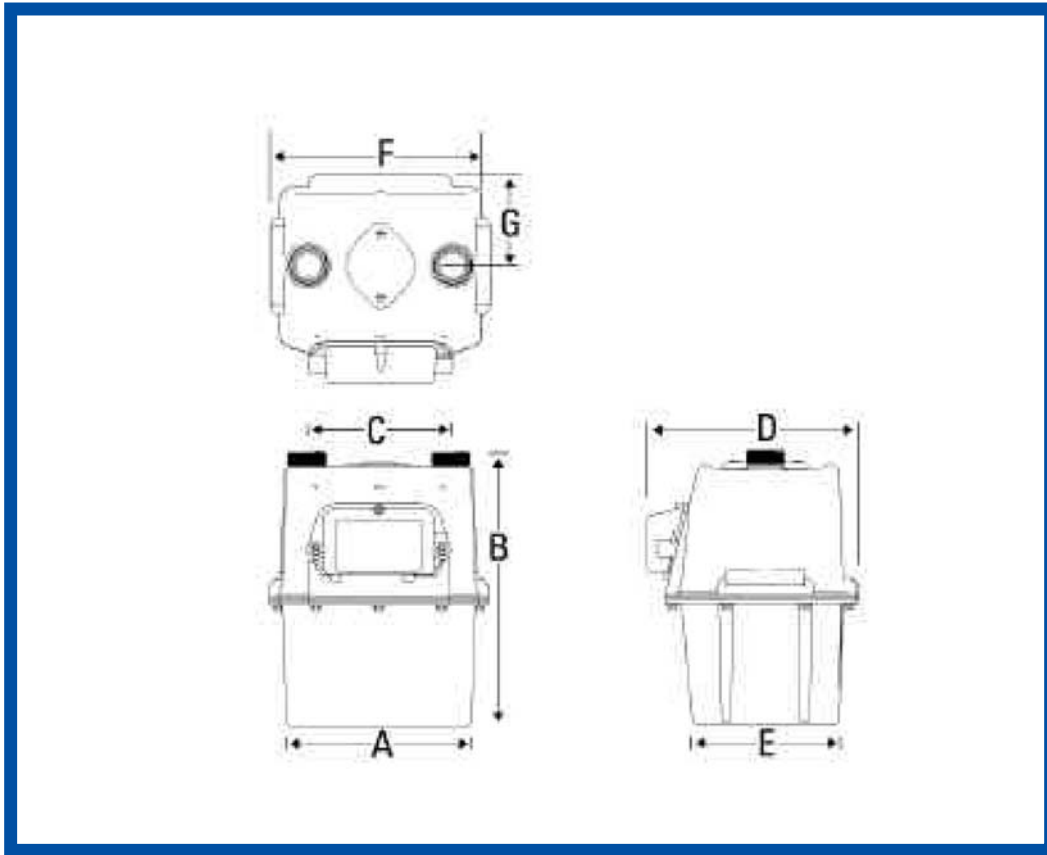
DISCLAIMER

E-Mon does not manufacture the products described on this page. We do not provide a warranty with respect to products we do not manufacture, and Customer must rely on the representations and warranties, if any, provided by the manufacturer of such product. We reserve the right to make changes to our products or to discontinue any product or service without notice.

250 Series Gas Meter with Pulse Output

Third-Party Products

From The Manufacturer of E-Mon D-Mon



Dimensions in Inches

- A - 7.7
- B - 11.3
- C - 6.0
- D - 8.8
- E - 6.0
- F - 9.1

DISCLAIMER

E-Mon does not manufacture the products described on this page. We do not provide a warranty with respect to products we do not manufacture, and Customer must rely on the representations and warranties, if any, provided by the manufacturer of such product. We reserve the right to make changes to our products or to discontinue any product or service without notice.