

400A Series Gas Meter with Pulse Output

Third-Party Products

From The Manufacturer of E-Mon D-Mon

Description

The 400A series meters are positive displacement gas measurement devices for loads up to 400 CuFt/hr. These meters use proven diaphragm meter technology in a three chambered design to provide accurate measurement across their flow range. Long life and low maintenance are assured by the combination of a self-lapping orbital valve and a one piece seamless diaphragm.

Compact design and light weight make these meters an excellent choice for new or retrofit applications. Typical use is in small to medium commercial and industrial applications. Each meter is shipped with a connection kit. These meters are available in 1" and 1.25" sizes.

The 400A series meters are suitable for indoor and outdoor installation. For indoor or mild weather outdoors use the non-temperature compensated meter (NTC) (standard configuration). For outdoor use in more extreme weather conditions consider ordering temperature compensating meters (TC).

Sample of Approvals

ANSI B109.1

Industry Canada AG-0393

State of New York, Dept. of Public Service 91-G-0507, 96-G-0885



Model Numbers

Non-Temperature Compensated	
1"™	GCP400ANTC30LT1
1.25"	GCP400ANTC30LT125
Temperature Compensated	
1"	GCP400ATC30LT1
1.25"	GCP400ATC30LT125

Specifications

Index:	4-digit direct read
Units:	Cubic Feet
Meter Maximum Allowable Operating Pressure:	10 psi
Hub Size:	30LT
Surface Treatment:	ASA 49 Gray paint
Index Drive:	2 cubic ft/revolution
Case:	Alluminum
Accuracy:	+/- 1% over full range
Pulse Value:	1 Cubic Ft/pulse

DISCLAIMER

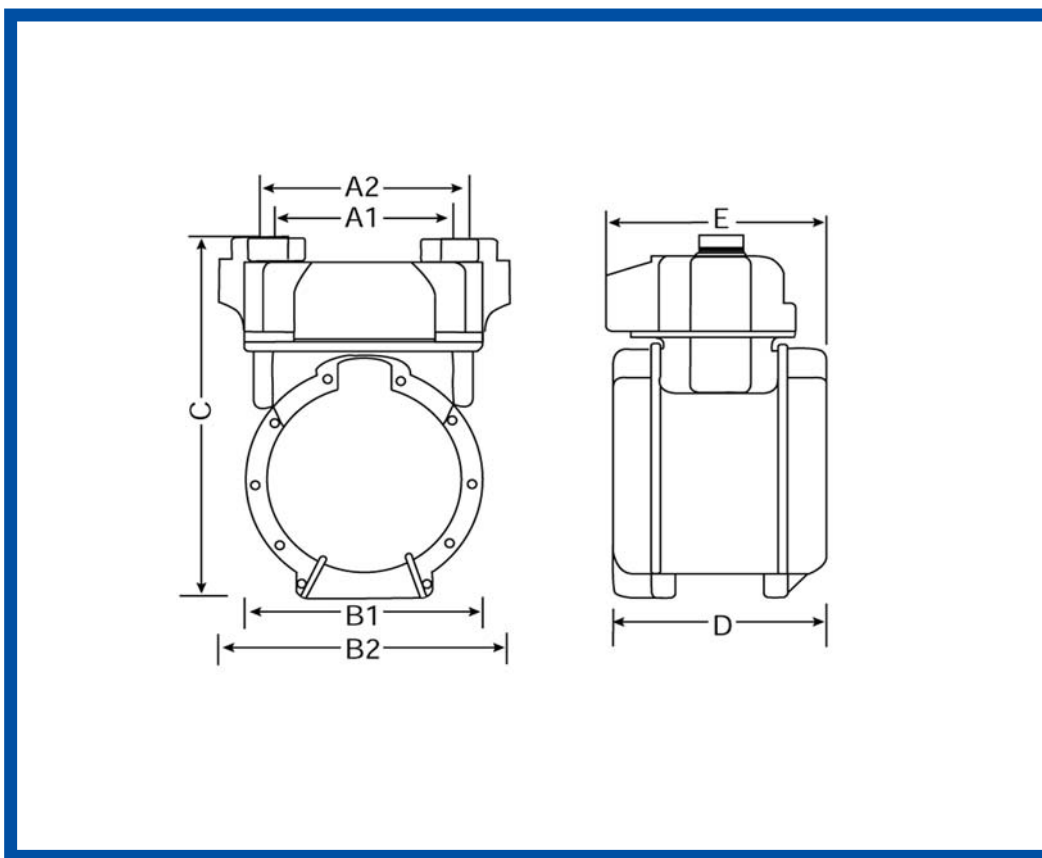
E-Mon does not manufacture the products described on this page. We do not provide a warranty with respect to products we do not manufacture, and Customer must rely on the representations and warranties, if any, provided by the manufacturer of such product. We reserve the right to make changes to our products or to discontinue any product or service without notice.

E-Mon[®]
Energy Monitoring Products

400A Series Gas Meter with Pulse Output

Third-Party Products

From The Manufacturer of E-Mon D-Mon



Dimensions in Inches

A1: 6.78

A2: 8.25

B1: 9.5

B2: 10.9

C: 14.71

D: 8.71

E: 9

Weight: 12.3 lbs

DISCLAIMER

E-Mon does not manufacture the products described on this page. We do not provide a warranty with respect to products we do not manufacture, and Customer must rely on the representations and warranties, if any, provided by the manufacturer of such product. We reserve the right to make changes to our products or to discontinue any product or service without notice.