

CLASS 2100 KWH METER with Built-In Wireless Transceiver

Features

- Direct-read 8-digit LCD display without multiplier displays accumulative kWh and "real-time" kW load.
- Meter has built-in wireless transceiver for in-building remote meter data collection and can interface with E-Mon wireless gateways to automatically compile data in PC-based E-Mon metering software.
- Fully self-configuring wireless mesh network allows for easy installation and configuration with no network management required.
- Demand option displays kW/Demand and kW Peak date and time (15 minute interval standard, 30 minute interval available.)
- NEMA 4X outdoor enclosure with 1 1/16" KO (3/4" cond.) on bottom of enclosure.
- Non-volatile Memory
- Utility Grade Metering Accuracy. Certified to ANSI C12.1 and C12.16 electronic meter National Accuracy Standards.
- Wireless transceiver is FCC certified not to interfere with existing infrastructure.
- Wireless mesh network operates in the 915 MHz frequency hopping spread-spectrum license-free band. No cellular wireless service contracts are required.
- Meters with built-in wireless transceivers can be mounted inside buildings within approximately 500 feet line-of-sight from each other and up to 200 feet through walls, depending on wall material.
- 0-2 volt output split-core current sensors promote enhanced safety and accurate remote mounting of current sensors up to 2000 feet from meter without power interruption. (Optional solid-core sensors available.)
- Meters are equipped with a current sensor diagnostics indicator to assist in installation.
- Parallel up to three (3) sets of current sensors for cumulative reading.
- Meter can be used on the following configurations:
 - 3-Phase, 4-Wire
 - 3-Phase, 3-Wire
 - 2-Phase, 3-WireFor other configurations contact factory.



Dimensions: 7 1/2" H x 7 1/2" W x 4" D

Model Numbers

120/208-240V, 3-Phase, 4W
240V, 3-Phase, 3W

208100RWT KIT (100 amp)
208200RWT KIT (200 amp)
208400RWT KIT (400 amp)
208800RWT KIT (800 amp)
2081600RWT KIT (1600 amp)
2083200RWT KIT (3200 amp)

277/480V, 3-Phase, 4W
480V, 3-Phase, 3W

480100RWT KIT (100 amp)
480200RWT KIT (200 amp)
480400RWT KIT (400 amp)
480800RWT KIT (800 amp)
4801600RWT KIT (1600 amp)
4803200RWT KIT (3200 amp)

NOTE: All meter kits include one set of three (3) split-core current sensors

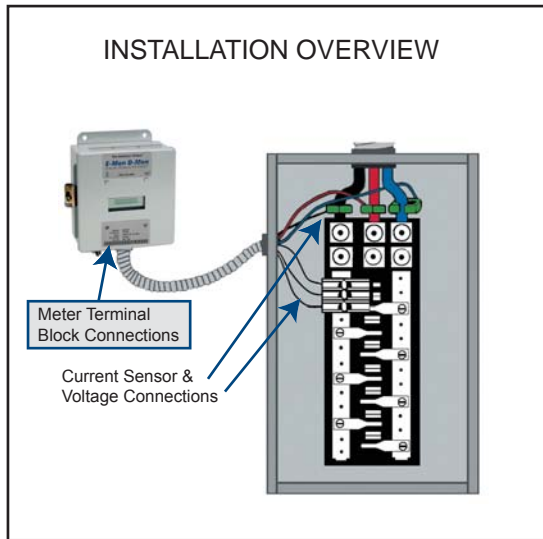
For demand option add suffix "D" to the model number. e.g., 208400RWTD KIT

INSTALLATION OVERVIEW

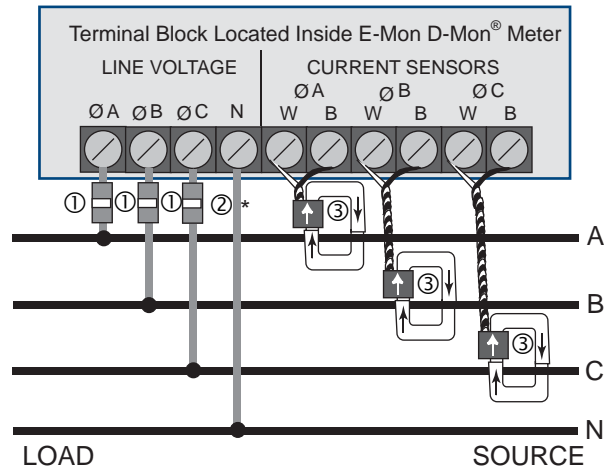
CLASS 1000, 2000 and 3000 Meters

E-Mon D-Mon

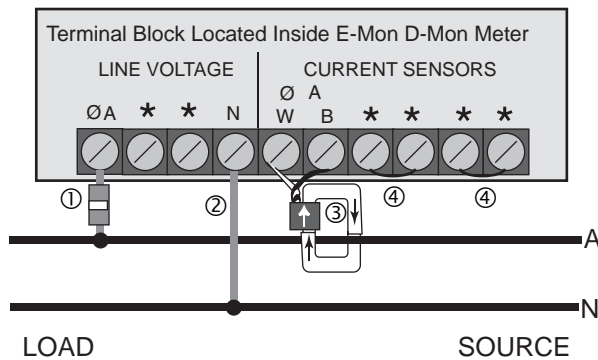
Energy Monitoring Products & Systems



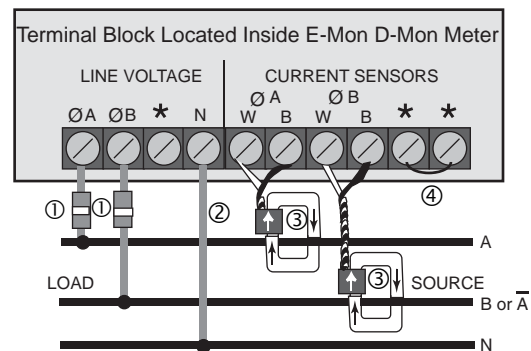
3-PHASE, 3-WIRE OR 3-PHASE, 4-WIRE INSTALLATION DIAGRAM



1-PHASE, 2-WIRE 120 or 277 VOLT INSTALLATION DIAGRAM (Class 1000 Series Only)



SINGLE-PHASE, 3-WIRE 120/240, 120/208 or 480 VOLT INSTALLATION DIAGRAM



* These terminals are not used in Class 1000 installations.

- ① Recommended fuses or circuit breaker per the National Electrical Code (Meter load 6VA.)
- *② Neutral not required in delta system.
- ③ Split-core current sensors. Install according to instructions.
- ④ Install jumper.